

BADLANDS  
TABLE OF CONTENTS

<u>I. GENERAL INFORMATION:</u>	<u>PAGE NO.</u>
USER F.C.C. INFORMATION -----	1
INTRODUCTION & NOTES -----	2
DISC PLAYER SAFETY SUGGESTIONS -----	3
BADLANDS GAME INSTRUCTIONS -----	5
 <u>II. OPERATION:</u>	
GAME OPTIONAL DIP SWITCH SETTINGS -----	6
ON-BOARD DIAGNOSTICS -----	7
INSTALLATION & ELECTRICAL REQUIREMENTS -----	8
ROUTINE MAINTENANCE & SERVICE -----	9
110/220 VAC CONVERSION INSTRUCTIONS -----	10
110/220 VAC INTERCONNECT DIAGRAM, FIG.1 -----	11
 <u>III. GAME PARTS DRAWINGS, PARTS LIST &amp; SCHEMATICS:</u>	
CABINET FRONT VIEW, FIG.2 -----	12
CABINET FRONT VIEW PARTS LIST -----	13
CONTROL PANEL EXPLODED VIEW, FIG.3 -----	14
COIN DOOR ASS'Y EXPLODED VIEW, FIG.4 -----	15
COIN DOOR WIRING DIAGRAM, FIG.5 -----	16
CABINET A.C. WIRING DIAGRAM, FIG.6 -----	17
CPU WIRE HARNESS DIAGRAM, FIG.7 -----	18
CONTROL PANEL WIRING DIAGRAM, FIG.8 -----	19
CPU/DISC PLAYER RIBBON CABLE ASS'Y, FIG.9 -----	20
RIBBON CABLE PIN CONFIGURATION DRAWING, FIG.10 ----	21
CPU/DISC PLAYER INTERCONNECT DRAWING, FIG.11 -----	22
DISC PLAYER/TV MONITOR CABLE ASS'Y, FIG.12 -----	23
CPU/DISC PLAYER AUDIO CABLE ASS'Y, FIG.13 -----	24
POWER SUPPLY PSR-1105-AP SCHEMATIC, FIG.14 -----	25
POWER SUPPLY PSR-1105-AP PARTS LIST -----	26
POWER SUPPLY PSR-804-AT SCHEMATIC, FIG.15 -----	28
POWER SUPPLY PSR-804-AT PARTS LIST -----	29
POWER SUPPLY A.C. HARNESS DIAGRAM, FIG.16 -----	31
PC BOARD SCHEMATICS -----	

USER INFORMATION - F.C.C.

WARNING

THIS EQUIPMENT GENERATES, USES, AND CAN RADIATE RADIO FREQUENCY ENERGY AND IF NOT INSTALLED AND USED IN ACCORDANCE WITH THE INSTRUCTIONS MANUAL, MAY CAUSE INTERFERENCE TO RADIO COMMUNICATIONS.

IT HAS BEEN TESTED AND FOUND TO COMPLY WITH THE LIMITS FOR A CLASS "A" COMPUTING DEVICE PURSUANT TO SUB-PART J OF PART 15 OF F.C.C. RULES, WHICH ARE DESIGNED TO PROVIDE REASONABLE PROTECTION AGAINST SUCH INTERFERENCE WHEN OPERATED IN A COMMERCIAL ENVIRONMENT.

OPERATION OF THIS EQUIPMENT IN A RESIDENTIAL AREA IS LIKELY TO CAUSE INTERFERENCE IN WHICH CASE, THE USER AT HIS OWN EXPENSE, WILL BE REQUIRED TO TAKE WHATEVER MEASURES MAY BE REQUIRED TO CORRECT THE INTERFERENCE.

## INTRODUCTION

"BADLANDS" IS A MICROPROCESSOR BASED COIN-OPERATED ELECTRONIC GAME, THAT MAKES EXTENSIVE USE OF DIGITAL INTEGRATED CIRCUITRY AND TELEVISION MONITOR CONCEPTS. THIS MANUAL IS DESIGNED FOR THE USE OF QUALIFIED MAINTENANCE TECHNICIANS WHO POSSESS A GENERAL KNOWLEDGE OF SOLID-STATE CIRCUITRY AND VIDEO MONITOR THEORY. ANY INDIVIDUAL NOT KNOWLEDGEABLE IN THESE AREAS SHOULD NOT ATTEMPT REPAIR OF THE ELECTRONIC PORTIONS OF THE GAME.

IN ADDITION TO THIS MANUAL AND KNOWLEDGE IN ELECTRONICS, TROUBLE-SHOOTING AND REPAIR WILL BE FACILITATED BY ACCESS TO GENERAL-TYPE HANDTOOLS, A MULTIMETER, A 50 OR 100 MHZ OSCILLOSCOPE AND A LOGIC PROBE WOULD BE HELPFUL.

TECHNICAL ASSISTANCE IS AVAILABLE BY CALLING (305) 558-5200 OR OUR TOLL FREE LINE LISTED BELOW.

QUESTIONS OR COMMENTS CONCERNING "BADLANDS" OR ANY OF OUR GAMES ARE WELCOME AND SHOULD BE DIRECTED TO:

CENTURI, INC.  
CUSTOMER SERVICE DEPARTMENT  
#800-327-7710 (OUTSIDE THE STATE OF FLA.)

## NOTES

NEVER REPLACE ANY COMPONENT WITH ANYTHING OTHER THAN THE EXACT REPLACEMENT PART.

NEVER REMOVE CIRCUIT BOARD CONNECTIONS WHILE POWER IS ON.

DO NOT REPLACE A FUSE WITH ANYTHING OTHER THAN THE PROPER VALUE. A BLOWN FUSE INDICATES AN OVERLOAD CONDITION WITHIN THE GAME, REPLACING A FUSE WITH A HIGHER VALUE CAN CAUSE SEVERE DAMAGE TO INTERNAL COMPONENTS IF AN OVERLOAD OCCURS.

ALWAYS CONSULT THE SERVICE MANUAL BEFORE ATTEMPTING REPAIRS.

LASER DISC PLAYER  
USER SAFETY SUGGESTIONS

BEFORE USING THE UNIT, BE SURE TO READ APPLICABLE ITEMS OF THE OPERATING INSTRUCTIONS AND TAKE SPECIAL PRE-CAUTION TO FOLLOW THE WARNINGS INDICATED ON THE UNIT AS WELL AS IN THE OPERATION MANUAL.

- \* DO NOT DISASSEMBLE THE UNIT.  
CAUTION: TO REDUCE THE RISK OF ELECTRIC SHOCK OR HAZARD, DO NOT DISASSEMBLE THE UNIT. REFER SERVICING TO QUALIFIED SERVICE PERSONNEL.
  
- \* DO NOT ALLOW LIQUID OR FOREIGN OBJECTS TO GET INSIDE THE UNIT. DO NOT PLACE ANYTHING CONTAINING LIQUID OR SMALL METAL OBJECTS ON OR NEAR THE UNIT.
  
- \* DO NOT USE OR STORE THE UNIT:
  - IN EXTREMELY HOT OR COLD PLACES.
  - WHERE VENTILATION IS INADEQUATE.
  - WHERE IT WILL BE EXPOSE TO DIRECT SUN RAYS.
  - NEAR DAMP OR DUSTY AREAS.
  - NEAR ELECTRO-MAGNETIC EQUIPMENT.
  
- \* DO NOT OBSTRUCT VENTILATION HOLES.  
DO NOT COVER VENTILATION HOLES WITH ANY MATERIAL OR PLACE THE UNIT IN A POOR AIR CIRCULATION AREA.
  
- \* DO NOT EXPOSE THE UNIT TO SHOCK OR VIBRATIONS.  
DO NOT DROP OR INDUCE SUDDEN SHOCK TO THE UNIT.
  
- \* DO NOT MOVE THE UNIT WHILE THE DISC IS ROTATING.  
MOVING THE UNIT WHILE THE DISC IS ROTATING MAY CAUSE DAMAGE TO THE DISC OR PLAYER OR BOTH.

LASER DISC PLAYER  
USER SAFETY SUGGESTIONS

- \* DO NOT OPERATE UNIT IMMEDIATELY AFTER RAPID CHANGES IN TEMPERATURE.  
AVOID OPERATING THE UNIT AFTER EXPOSURE TO RAPID CHANGES IN TEMPERATURE.
- \* DO NOT OPERATE THE UNIT IN A VERTICAL OR TILT POSITION. OPERATING THE UNIT IN OTHER THAN A HORIZONTAL POSITION WILL CAUSE DAMAGE TO DISC OR PLAYER OR BOTH.
- \* CHECK THE VOLTAGE RATING OF THE UNIT BEFORE CONNECTING THE UNIT TO A POWER SUPPLY.  
BE SURE TO CONNECT THE UNIT ONLY TO THE POWER SUPPLY INDICATED IN THE OPERATION MANUAL OR AS SPECIFIED ON THE UNIT.
- \* REPAIRS  
DO NOT ATTEMPT TO REPAIR THE UNIT YOURSELF. EXCEPT FOR THE MINOR OPERATIONAL SET-UP, REFER ALL SERVICE TO A QUALIFIED TECHNICIAN OR YOUR NEAREST SERVICE CENTER.

## BADLANDS

### GAME INSTRUCTIONS

BUCK, A HARD-WORKING FAMILY MAN WHOSE WIFE AND CHILDREN HAVE BEEN BRUTALLY SLAIN BY A VICIOUS BAND OF THUGS LED BY THE RUTHLESS LANDOLF. BUCK HAS ONLY ONE MISSION: TO AVENGE THE DEATH OF HIS FAMILY. NOT UNTIL LANDOLF AND EACH MEMBER OF HIS MOB IS DEALT WITH WILL BUCK HAVE HIS REVENGE.

THERE'S A PRICE TAG ON THE HEAD OF LANDOLF AND EACH MEMBER OF HIS GANG. BUT REMEMBER, THE BADLANDS IS NO PLACE FOR THE FAINT OF HEART.

### PLAY INSTRUCTIONS

- \* SHOOT OUTLAWS AS SOON AS THEY THREATEN TO ATTACK BUCK.
- \* SHOOT FEROCIOUS ANIMALS AS SOON AS THEY APPEAR.
- \* SHOOT OUTLAWS TOO LATE AND BUCK WILL BE SHOT.
- \* SHOOT OUTLAWS TOO EARLY AND BUCK WILL BE JAILED OR HANGED.
- \* SHOOTING INNOCENT CITIZENS OR ANIMALS RESULTS IN BUCK BEING JAILED OR HANGED.
- \* SHOWDOWN WITH LANDOLF; SHOOT THE MOMENT THE COIN THROWN HITS THE GROUND.
- \* GAME IS OVER WHEN ALL LIVES ARE LOST.
- \* USE "PASS" BUTTON TO OMIT OPENING DIALOGUE.

OPTIONAL DIP SWITCH SETTINGS

1. DIP SWITCH NO.1 (8P DIP SWITCH)

CREDITS

COIN	PLAYS	SW1	SW2	SW3	SW4	SW5	SW6	SW7	SW8
1	1	OFF	OFF	OFF	OFF	OFF	OFF	OFF	OFF
1	2	ON	OFF	OFF	OFF	ON	OFF	OFF	OFF
1	3	OFF	ON	OFF	OFF	OFF	ON	OFF	OFF
1	4	ON	ON	OFF	OFF	ON	ON	OFF	OFF
1	5	OFF	OFF	ON	OFF	OFF	OFF	ON	OFF
1	6	ON	OFF	ON	OFF	ON	OFF	ON	OFF
1	7	OFF	ON	ON	OFF	OFF	ON	ON	OFF
2	1	ON	ON	ON	OFF	ON	ON	ON	OFF
2	3	OFF	OFF	OFF	ON	OFF	OFF	OFF	ON
2	5	ON	OFF	OFF	ON	ON	OFF	OFF	ON
3	1	OFF	ON	OFF	ON	OFF	ON	OFF	ON
3	2	ON	ON	OFF	ON	ON	ON	OFF	ON
3	4	OFF	OFF	ON	ON	OFF	OFF	ON	ON
4	1	ON	OFF	ON	ON	ON	OFF	ON	ON
4	3	OFF	ON	ON	ON	OFF	ON	ON	ON
FREE PLAY		ON	ON	ON	ON	ON	ON	ON	ON

2. DIP SWITCH NO.2 (8P DIP SWITCH)

NUMBER OF LIVES

NUMBER	SW1	SW2
2	OFF	OFF
3	ON	OFF
5	OFF	ON
7	ON	ON

SW3	SW4	SW5	SW6	SW7
OFF	OFF	OFF	OFF	OFF
SWITCHES SW3 THROUGH SW7 NOT IN USE. KEEP SWITCHES IN "OFF" POSITION.				

AUDIO ATTRACTION

AUDIO MODE	SW8
SOUND ON	ON
SOUND OFF	OFF

## ON-BOARD DIAGNOSTIC PROGRAM

### SELF TEST:

THE PC BOARD IN THIS GAME CONTAINS A FUNCTIONAL TEST TO CHECK IF ANYTHING IS WRONG WITH THE CABINET OR THE PC BOARD ITSELF.

WHEN POWER IS SWITCHED ON, THE BOARD WILL ALWAYS CHECK THE BASIC BLOCK, AND IF NORMAL, WILL INDICATE OK ON THE MONITOR DISPLAY AND THEN THE GAME WILL START.

IF IT IS NOT NORMAL, THE MONITOR DISPLAY WILL READ BAD AND THE VIDEO WILL STOP. IT WILL AGAIN REPEAT THE CHECK OF THE BASIC BLOCK.

### MANUAL TEST:

#### A) STARTING

TURN THE POWER ON AND PRESS BOTH "PASS" (NO DIALOGUE) AND "START" (DIALOGUE) BUTTONS WHILE RAM ROM CHECK APPEARS ON THE SCREEN.

RELEASE THE BUTTONS AFTER THE COLOR TEST BEGINS.

SWITCH THE POWER OFF ONCE, BEFORE STARTING THE GAME.

#### B) TEST ITEM SELECTION

TEST ITEMS WILL ADVANCE IN THE FOLLOWING ORDER EACH TIME THE "START" (DIALOGUE) BUTTON IS PRESSED.

TEST ITEM WILL REMAIN ON THE SCREEN UNTIL THE "START" BUTTON IS AGAIN PRESSED. ITEMS WILL BE REPEATED AFTER ITEM 6 ENDS.

#### C) TEST PROGRAM

<u>ITEM</u>	<u>DETAILS</u>
1. COLOR CONDITION.	STANDARD COLOR-BARS AND SEVEN COLOR BLOCKS ARE DISPLAYED.
2. CONDITION OF PICTURE.	FULL SCREEN CROSS-HATCH IS DISPLAYED.
3. CONTROLS CHECK.	DISPLAYS NAMES OF ALL SWITCHES (COIN SW, ETC.). ACTIVATING EACH SWITCH WILL CHANGE THE "0" NEXT TO EACH SWITCH TO "1".
4. COIN COUNTER CHECK.	TO CHECK COUNTERS, ACTIVATE EACH COUNTER 8 TIMES, THEN PROCEED WITH TEST ITEM 5.
5. DIP SW SET.	DIP SW SET IS DISPLAYED.
6. SOUND CHECK.	AUTOMATICALLY TESTS EACH SOUND WITH A DELAY OF 8 SECONDS BETWEEN EACH. CAN ALSO ADVANCE TO NEXT SOUND BY PRESSING ON "START" BUTTON.



## INSTALLATION

YOUR GAME WAS SHIPPED FROM THE FACTORY IN READY-TO-PLAY CONDITION.

A BRIEF INSPECTION IS SUGGESTED BEFORE THE MACHINE IS REMOVED FROM THE CARTON. IF THERE IS DAMAGE TO THE SHIPPING CARTON, CONTACT THE FREIGHT CARRIER FOR CLAIM PURPOSES. EXTERNAL DAMAGE COULD INDICATE POSSIBLE DAMAGE TO THE CABINET AND/OR ELECTRONICS COMPONENTS.

AFTER THE CARTON HAS BEEN SATISFACTORILY INSPECTED, REMOVE THE MACHINE FROM THE SHIPPING CARTON.

EXAMINE THE INTERIOR OF THE GAME FOR DISCONNECTED WIRES, CABLES OR HARNESSSES. MAKE SURE THE ELECTRONIC DEVICES ARE SECURELY MOUNTED IN THEIR SOCKETS, ETC. RECORD THE GAME SERIAL NUMBER, SINCE IT WILL BE REQUIRED FOR REFERENCE AND SERVICING.

## ELECTRICAL REQUIREMENTS

UNLESS OTHERWISE SPECIFIED, THIS GAME IS SET TO OPERATE AT 110 VOLTS A.C., FOR 220 VOLTS A.C. OPERATION REFER TO 110/220 VAC CONVERSION INSTRUCTIONS FOUND IN THIS MANUAL.

D.C. POWER SUPPLY CHASSIS SCHEMATIC INFORMATION AND PARTS LIST ARE INCLUDED IN THIS MANUAL.

## ROUTINE MAINTENANCE & SERVICE

THIS GAME WILL REQUIRE PERIODIC PREVENTATIVE MAINTENANCE AND OCCASIONAL ADJUSTMENT.

### SOUND CONTROLS

THE MASTER SOUND TRIMMER, FACTORY PRESET, LOCATED ON THE PRINTED CIRCUIT BOARD PROVIDES ADJUSTMENT OF THE INPUT SIGNAL TO THE SOUND AMPLIFIER AND CAN BE ACCESSED THROUGH THE REAR CABINET DOOR. THE VOLUME CONTROL, LOCATED ON THE FRONT OF THE CABINET, PROVIDES OVER-ALL VOLUME ADJUSTMENT TO THE SPEAKERS AND CAN BE ACCESSED THROUGH THE COIN DOOR.

### VIDEO MONITOR

THE VIDEO MONITOR HAS BEEN PROPERLY ADJUSTED BEFORE SHIPPING. OCCASIONALLY MINOR ADJUSTMENTS ARE NECESSARY. ADJUSTMENT CONTROLS FOR THE MONITOR ARE LOCATED ON THE REAR OF THE MONITOR. TECHNICAL INFORMATION, ALONG WITH SCHEMATICS, CAN BE FOUND IN THIS MANUAL.

### AIR FILTER

THIS MACHINE COMES EQUIPPED WITH A RE-USABLE BLOWER MOTOR FILTER. FILTER SHOULD BE KEPT CLEAN. EVERY TWO WEEKS, WASH FILTER WITH SOAPY WATER, RINSE, AND DRY THOROUGHLY BEFORE REUSING.

### POWER SUPPLY

THE COMPUTER BOARD IN THIS GAME OPERATES MOST EFFICIENTLY AND RELIABLY WHEN THE POWER SUPPLY IS SET SO THE VOLTAGE ON THE BOARD IS 5.0 VOLTS,  $\pm 0.1$  VOLT. TO CHECK THIS, PLACE A METER ACROSS + 5.0 VOLTS AND GROUND, AT THE EDGE CONNECTOR. IF NECESSARY, ADJUST THE SCREWDRIVER CONTROL ON THE POWER SUPPLY, SO THE METER READS BETWEEN 4.9 AND 5.1 VOLTS.

### LASER DISC PLAYER

REFER TO "LASER DISC PLAYER OPERATION MANUAL".  
CAUTION: FOR POWER TO THE DISC PLAYER, USE ONLY THE A.C. OUTLETS PROVIDED IN THIS GAME.

## 110/220 VAC CONVERSION INSTRUCTIONS

THIS GAME CONTAINS A HARNESS CONFIGURATION WHICH ALLOWS THE MACHINE TO BE OPERATED FROM EITHER A 110 VAC OR 220 VAC, 50 HZ OR 60 HZ POWER SOURCE. ALL GAMES SHIPPED FROM CENTURI, INC., ARE IN THE 110 VAC CONFIGURATION. TO CHANGE TO THE 220 VAC CONFIGURATION FOLLOW THE PROCEDURE BELOW.

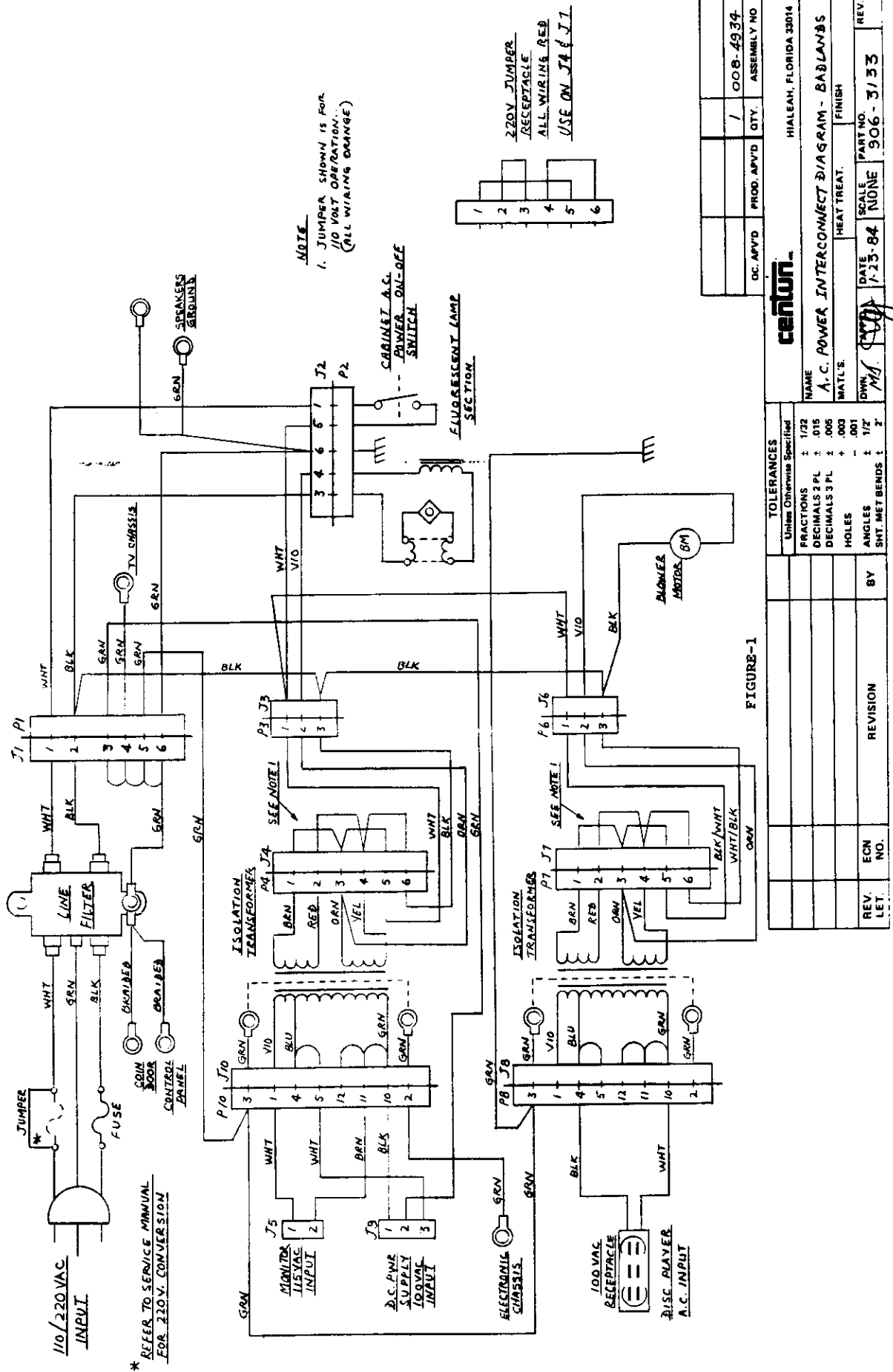
- FIRST: UNPLUG THE MACHINE FROM THE WALL OUTLET TO COMPLETELY ELIMINATE SHOCK HAZARDS.
- SECOND: REMOVE AND DISCARD THE 110 VAC PLUG FROM THE AC POWER CORD AND REPLACE WITH A 220 VAC PLUG. ATTACH THE GREEN WIRE FROM THE AC CORD TO THE GREEN SCREW OF THE 220 VAC PLUG. ATTACH THE WHITE WIRE (NEUTRAL) AND THE BLACK WIRE (HOT) OF THE AC CORD TO THE 220 VAC PLUG.
- THIRD: REMOVE THE SINGLE 3 AMP SLOW-BLOW FUSE FOUND IN THE A.C. DISTRIBUTION BRACKET, AND INSTALL TWO, 1.5 AMP SLOW-BLOW FUSES. NEXT, CUT THE #18 AWG. WHITE JUMPER WIRE AT BOTH ENDS OF THE FUSE HOLDER AND REPLACE THE FIBER COVER.
- FOURTH: ON THE GAME POWER TRANSFORMERS, LOCATE THE TWO "ORANGE" JUMPER PLUGS WHICH ARE MARKED, 110 VAC. UNPLUG THE TWO "ORANGE" JUMPERS, AND PLUG IN THE "RED" JUMPER PLUGS MARKED 220 VAC.

TO REVERT BACK TO 110 VAC OPERATION, REPLACE THE COMPONENTS ORIGINALLY REMOVED FROM THE PROCEDURE STEPS ABOVE.

REFER ALSO TO THE 110/220 VAC POWER INTERCONNECT DIAGRAM.

\*\*\*NOTE: THE COMMON SIDE OF THE A.C. LINE MUST NOT BE FUSED IN THE 110 VAC CONFIGURATION, REPLACE THE #18 AWG. WHITE JUMPER WIRE REMOVED ON THIRD STEP ABOVE.

THE MATERIAL CONTAINED HEREIN IS CONFIDENTIAL AND NO PART OF IT CAN BE REPRODUCED WITHOUT THE EXPRESSED PERMISSION OF CENTURI, INC.



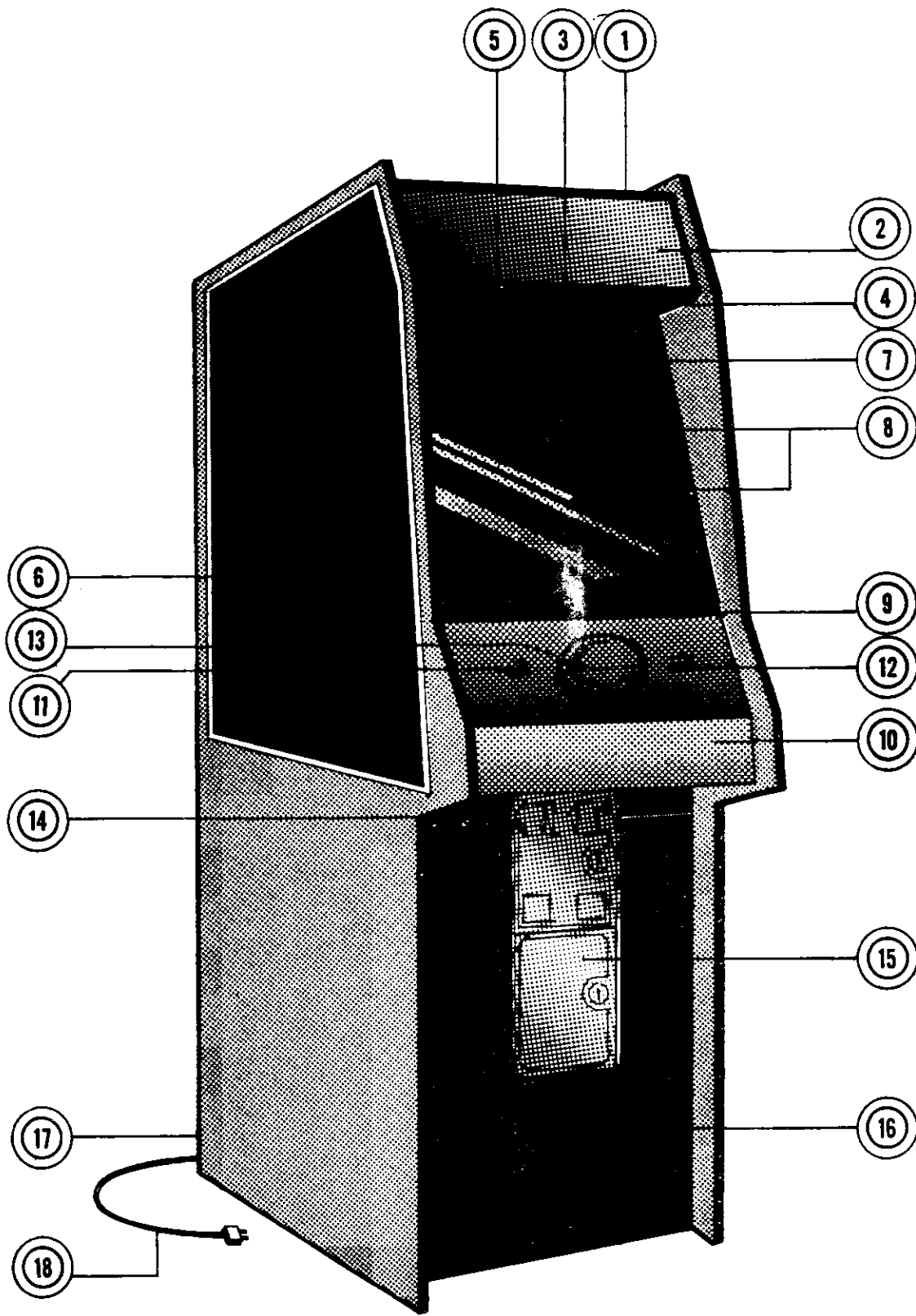


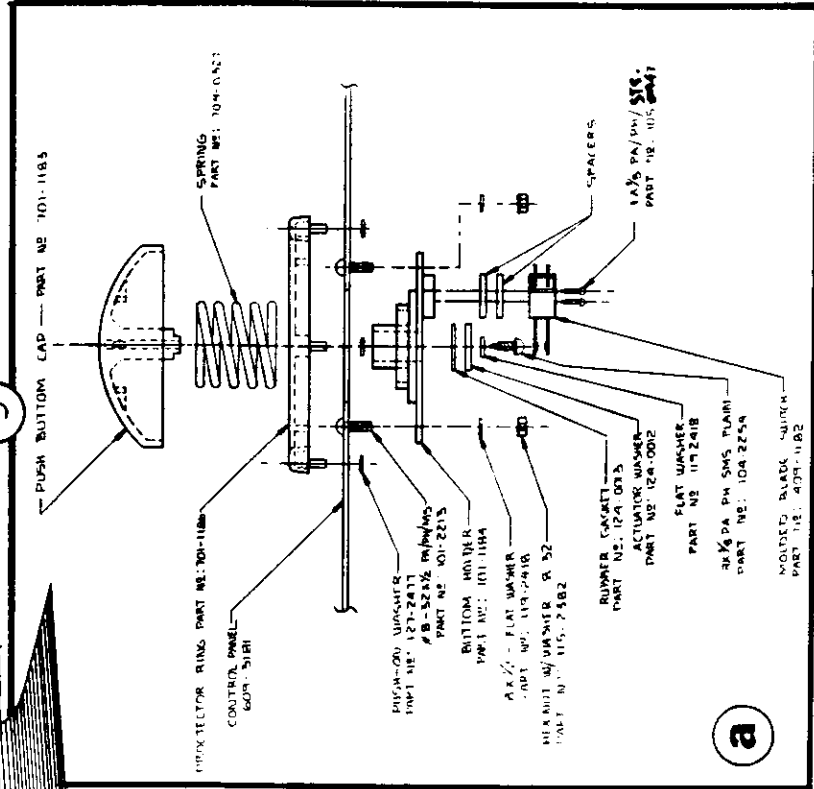
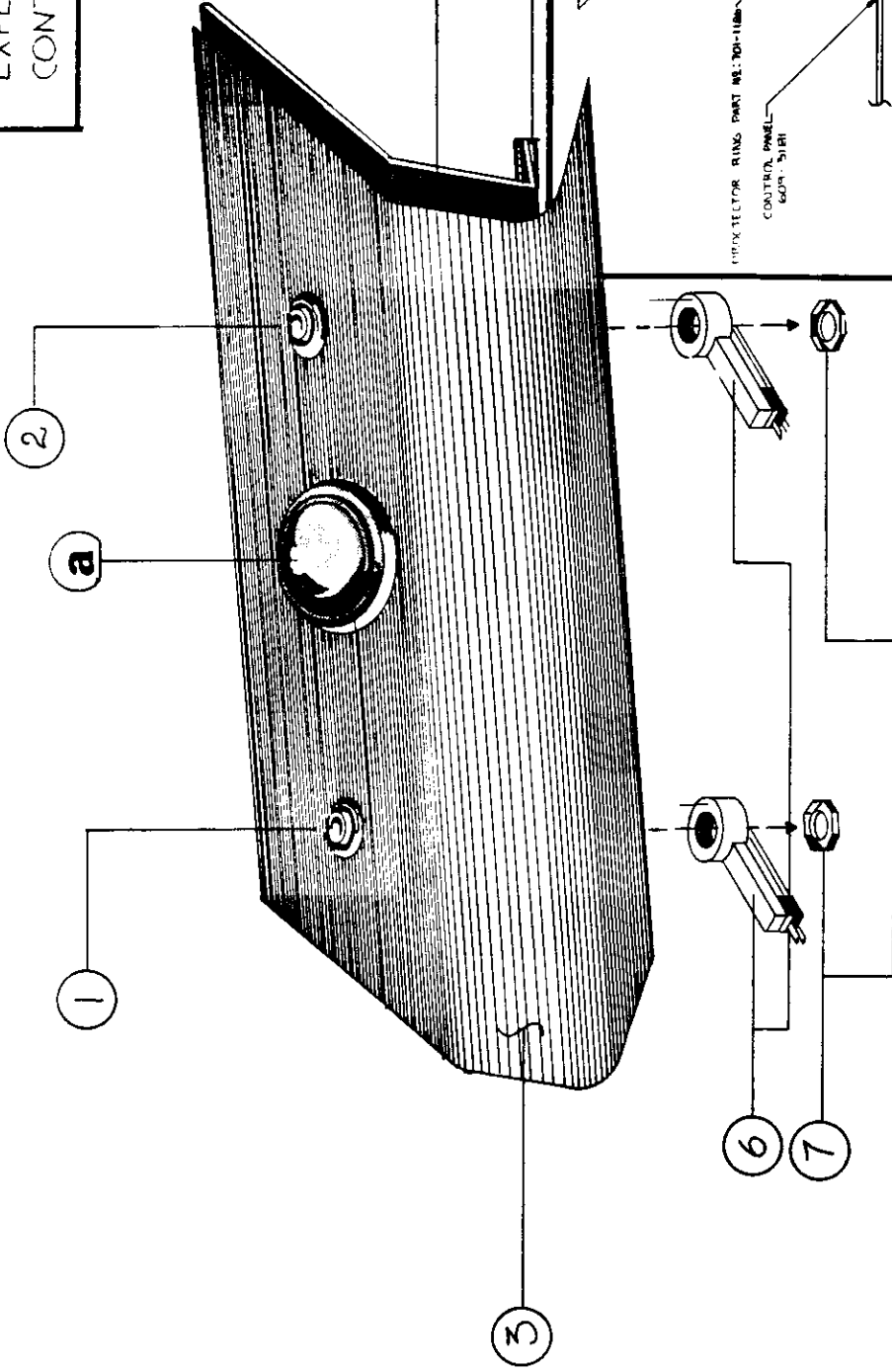
FIGURE-2  
FRONT VIEW OF CABINET

CABINET FRONT VIEW

PARTS LIST

<u>ITEM</u>	<u>PART NO.</u>	<u>DESCRIPTION</u>
1	302-2705	MARQUEE HOLDING BRACKET
2	802-3116	MARQUEE, BADLANDS
3	302-2862	MARQUEE LOWER HOLDING BRACKET
4	403-1171	SPEAKER, 8 OHM, 6 WATT, 5 $\frac{1}{4}$ IN. RD.
	305-2650	SPEAKER SCREEN
5	302-2863	VIEWING GLASS TOP HOLDING BRACKET
6	801-3100	RIGHT SIDE DECAL, BADLANDS
	801-3101	LEFT SIDE DECAL, BADLANDS
7	804-3135	BLACK PLASTIC BEZEL, 19" MONITOR
8	605-0975	VIEWING GLASS
	406-2063	19" COLOR MONITOR, W/G MODEL 19K4923
9	302-2861	CONTROL PANEL ANGLE BRACKET
10	609-3181	CONTROL PANEL W/OVERLAY, BADLANDS
	801-3103	CONTROL PANEL OVERLAY (ONLY)
11	701-1170	PUSH BUTTON, WHITE
12	701-1171	PUSH BUTTON, RED
	409-1163	LEAF SWITCH W/HOLDER
	103-0951	PAL NUT
13	701-1183	FIRE BUTTON ASS'Y, 3 $\frac{1}{2}$ IN.
14	306-2675	CONTROL PANEL HINGE
15	009-4699	COIN DOOR ASS'Y, COIN CONTROLS #10-3106-00
16	421-0001	LASER DISC PLAYER, PIONEER LD-V1001
	421-0002	VIDEO DISC, BADLANDS
17	416-1662	FAN MOTOR, 4.5 IN., 115V. 12W. ( LOCATED ON REAR OF CABINET)
18	402-1511	A.C. POWER CORD, 12 FT.

EXPLODED VIEW  
CONTROL PANEL



<b>a</b>	701-1183	FIRE BUTTON ASS'Y
1	701-1170	PUSH BUTTON, WHITE
2	701-1171	PUSH BUTTON, RED
3	201-3103	CNTRL PANEL OVERLAY
4	301-2530	CNTRL PANEL
5	306-2675	HINGE
6	409-1163	SWITCH W/HOLDER
7	103-0951	PAL NUT

FIGURE-3





THE MATERIAL CONTAINED HEREIN IS CONFIDENTIAL AND NO PART OF IT CAN BE REPRODUCED WITHOUT THE EXPRESSED PERMISSION OF CENTURI, INC.

1	GRND
2	LEFT COIN
3	RIGHT COIN
4	+5 VOLTS
5	COUNTER
6	SERVICE
7	-5 VOLTS
8	GRND
9	

9 PIN MOLEX RECEPTICLE  
P/N 03-09-1091  
PART OF CPU HARNESS

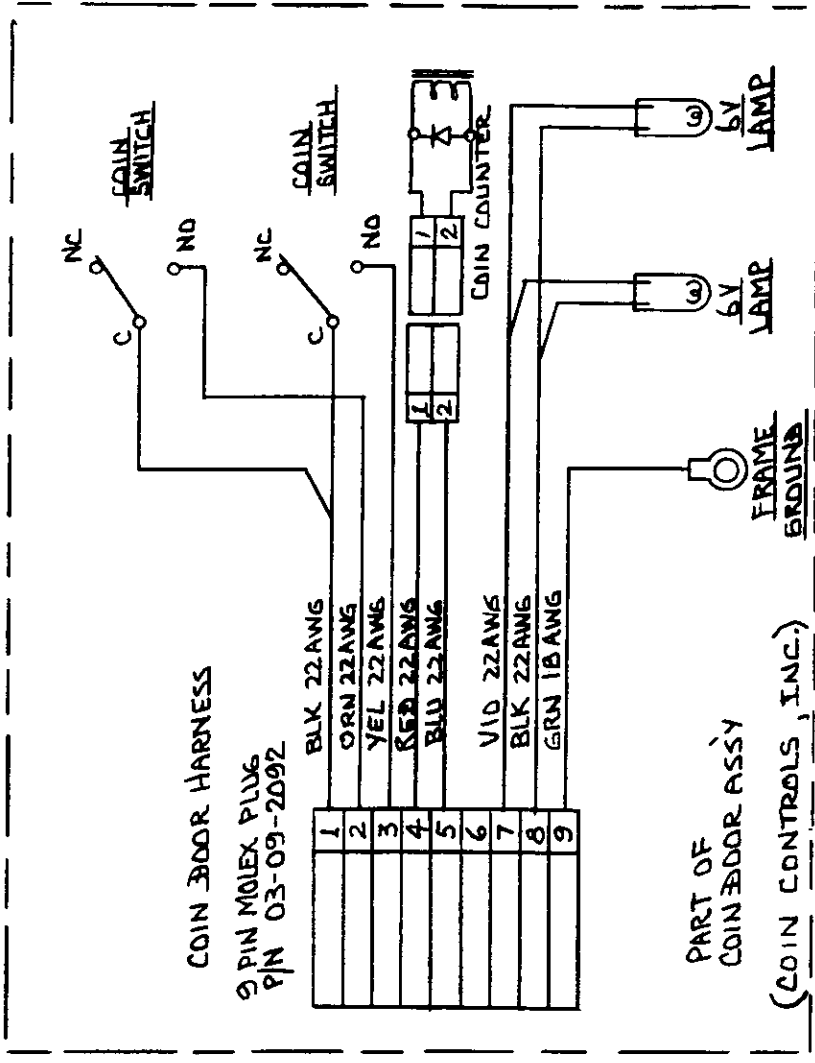
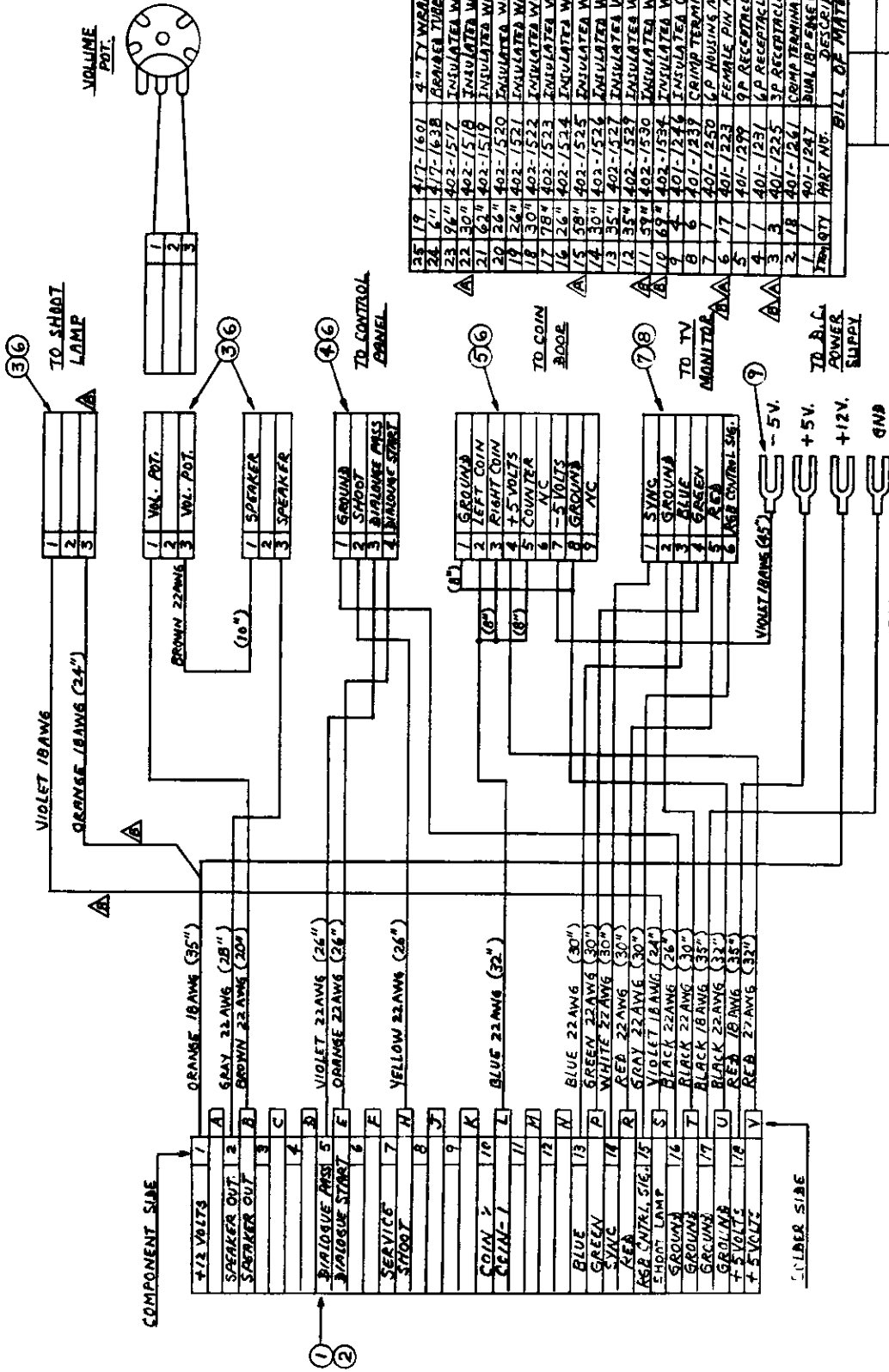


FIGURE-5

TOLERANCES Unless Otherwise Specified		HIALEAH, FLORIDA 33014	
FRACTIONS	± 1/32	QC. APV'D	PROD. APV'D
DECIMALS 2 PL	± .015	QTY.	ASSEMBLY NO
DECIMALS 3 PL	± .005	NAME	
HOLES	± .003	CENTURI INC.	
ANGLES	± .001	BLE FRAME MINI - COIN DOOR WIRING DIAGRAM	
SHT. MET BENDS	± 1/2"	MATERIALS	
BY	REVISION	HEAT TREAT. FINISH	
ECN NO.		APPR	DATE
REV. LET.		11-30-83	SCALE
		PART NO.	REV.



THE MATERIAL CONTAINED HEREIN IS CONFIDENTIAL AND NO PART OF IT CAN BE REPRODUCED WITHOUT THE EXPRESSED PERMISSION OF CENTURI, INC.



THE MATERIAL CONTAINED HEREIN IS CONFIDENTIAL AND NO PART OF IT CAN BE REPRODUCED WITHOUT THE EXPRESSED PERMISSION OF CENTURI, INC.

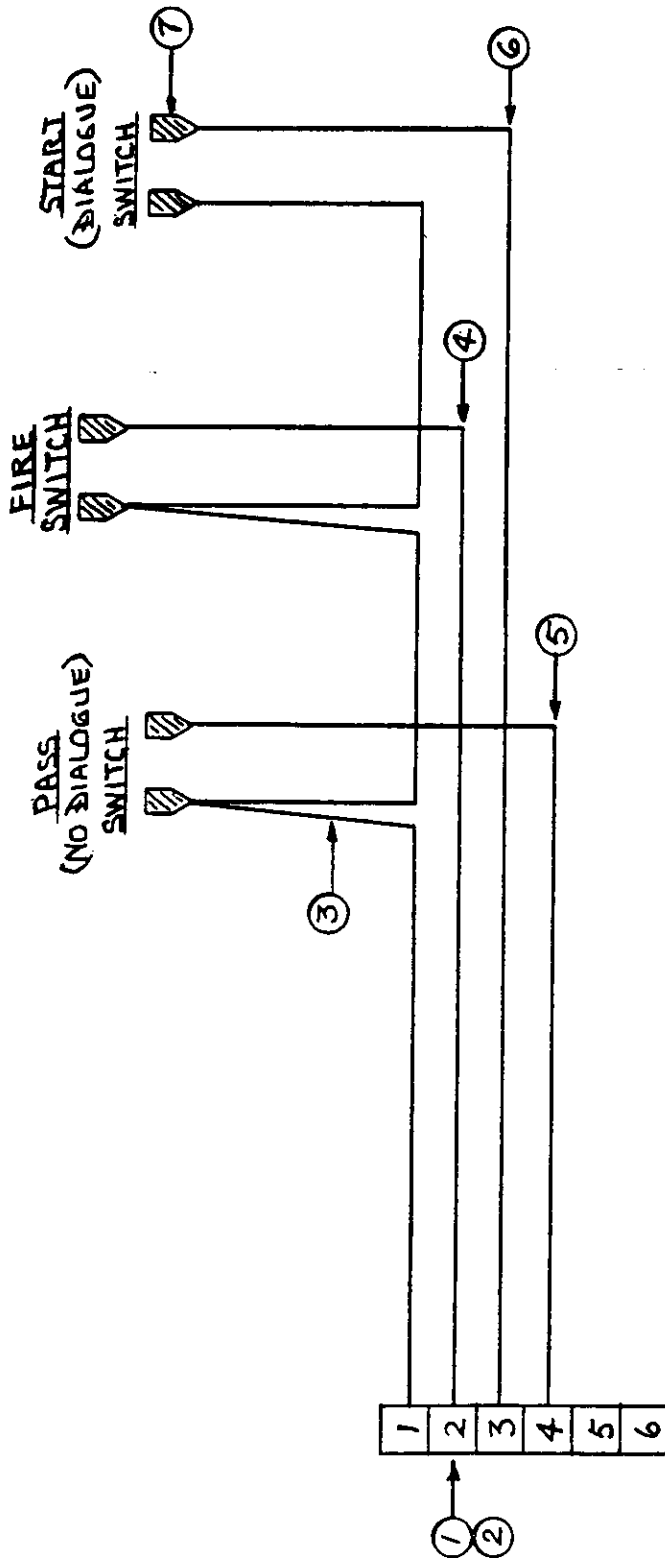


FIGURE-8

QTY	PART NO.	DESCRIPTION	QTY	DESCRIPTION	QTY	DESCRIPTION	QTY	DESCRIPTION	QTY	DESCRIPTION
4	33"	402-1521	INSULATED WIRE, 22AWG, YELLOW	5	417-1601	4" TY WRAPS				
3	48"	402-1517	" " " BLACK	7	401-1302	3/16" PUSH ON TERMINAL ETC #895				
2	4	401-1222	MALE PIN MOLEX #02-09-2116	6	37"	402-1520	INSULATED WIRE, 22AWG, ORANGE			
1	1	401-1229	6 PIN PLUG MOLEX #03-09-2061	5	25"	402-1524	" " " VIOLET			
REV. LET.		ECN NO.	REVISION	BY	BILL OF MATERIALS					
					TOLERANCES					
					Unless Otherwise Specified					
					FRACTIONS	± 1/32				
					DECIMALS 2 PL	± .015				
					DECIMALS 3 PL	± .005				
					HOLES	± .003				
					ANGLES	± 1/2°				
					SHT. MET BENDS	± 2°				
					centuri					
					HIALEAH, FLORIDA 33014					
					NAME					
					CONTROL PANEL HARNESS - BABLANDS					
					MATERIALS					
					HEAT TREAT.					
					FINISH					
					OC. APV'D	PROD. APV'D	QTY.	ASSEMBLY NO		
							1			
					APP'D.	DATE	SCALE	PART NO.	REV.	
					MS	2-2-84	NONE	008-4935		

THE MATERIAL CONTAINED HEREIN IS CONFIDENTIAL AND NO PART OF IT CAN BE REPRODUCED WITHOUT THE EXPRESSED PERMISSION OF CENTURI, INC.

BILL OF MATERIALS

ITEM	QTY.	PART NUMBER	DESCRIPTION
1	1	401-1404	ZAP PLUG AMPHENDL # 5130240
2	75"	402-1304	ZG CONDUCTOR ZZAWIG FLAT CABLE ANSLEY # 171-2
3	1	401-1405	Z6 P PLUG SCOTCFLEX # 3399-600

AMPHENDL CONNECTOR PIN #	FLAT CABLE CONNECTOR PIN #
16	1
12	2
15	3
12	4
14	5
23	6
13	7
24	8
4	9
18	10
3	11
19	12
2	13
20	14
1	15
21	16
7	17
22	18
17	19
23	20
11	21
18	22
19	23
20	24
21	25
22	26

BOTTOM VIEW

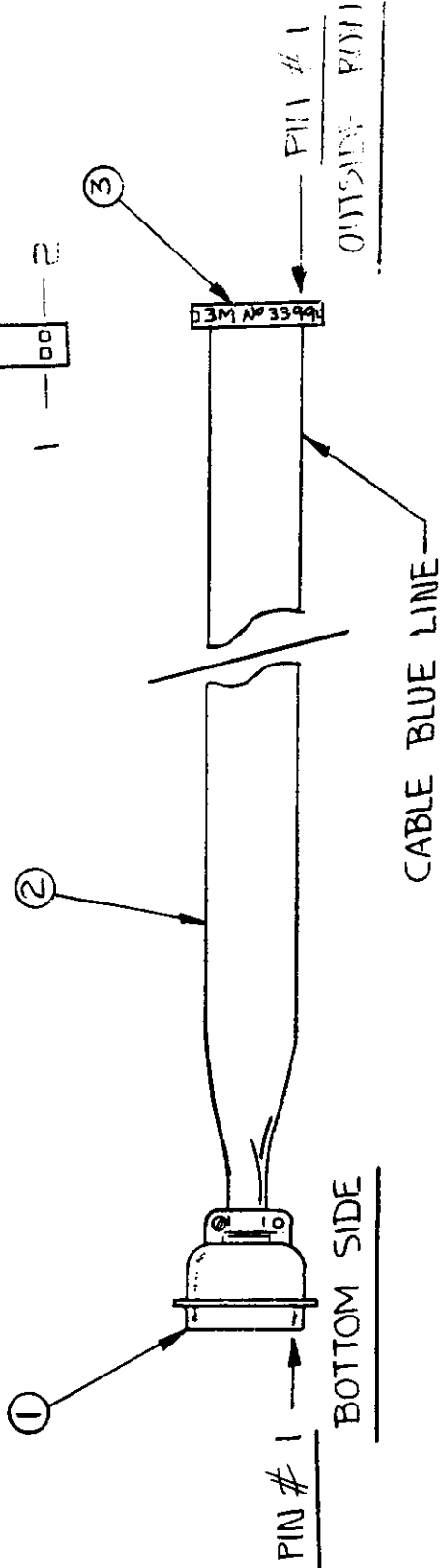
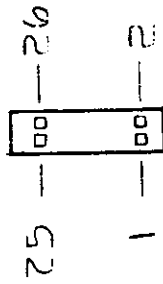


FIGURE-9

OC. APV'D	PROD. APV'D	QTY.	ASSEMBLY NO
		1	

<b>centuri</b> INC		HIALEAH, FLORIDA 33014	
NAME CPU TO DISC PLAYER, RIBBON CABLE ASSY.			
MATERIALS		HEAT TREAT. FINISH	
DWN. L.A.	APP'D <i>[Signature]</i>	DATE 1-30-84	PART NO. 008-4936
REV. LET.	ECN NO.	REVISION	BY

TOLERANCES	
Unless Otherwise Specified	
FRACTIONS	± 1/32
DECIMALS 2 PL	± .015
DECIMALS 3 PL	± .005
HOLES	+ .003
ANGLES	- .001
SHT. MET BENDS	± 1/2°



THE MATERIAL CONTAINED HEREIN IS CONFIDENTIAL AND NO PART OF IT CAN BE REPRODUCED WITHOUT THE EXPRESSED PERMISSION OF CENTURI, INC.

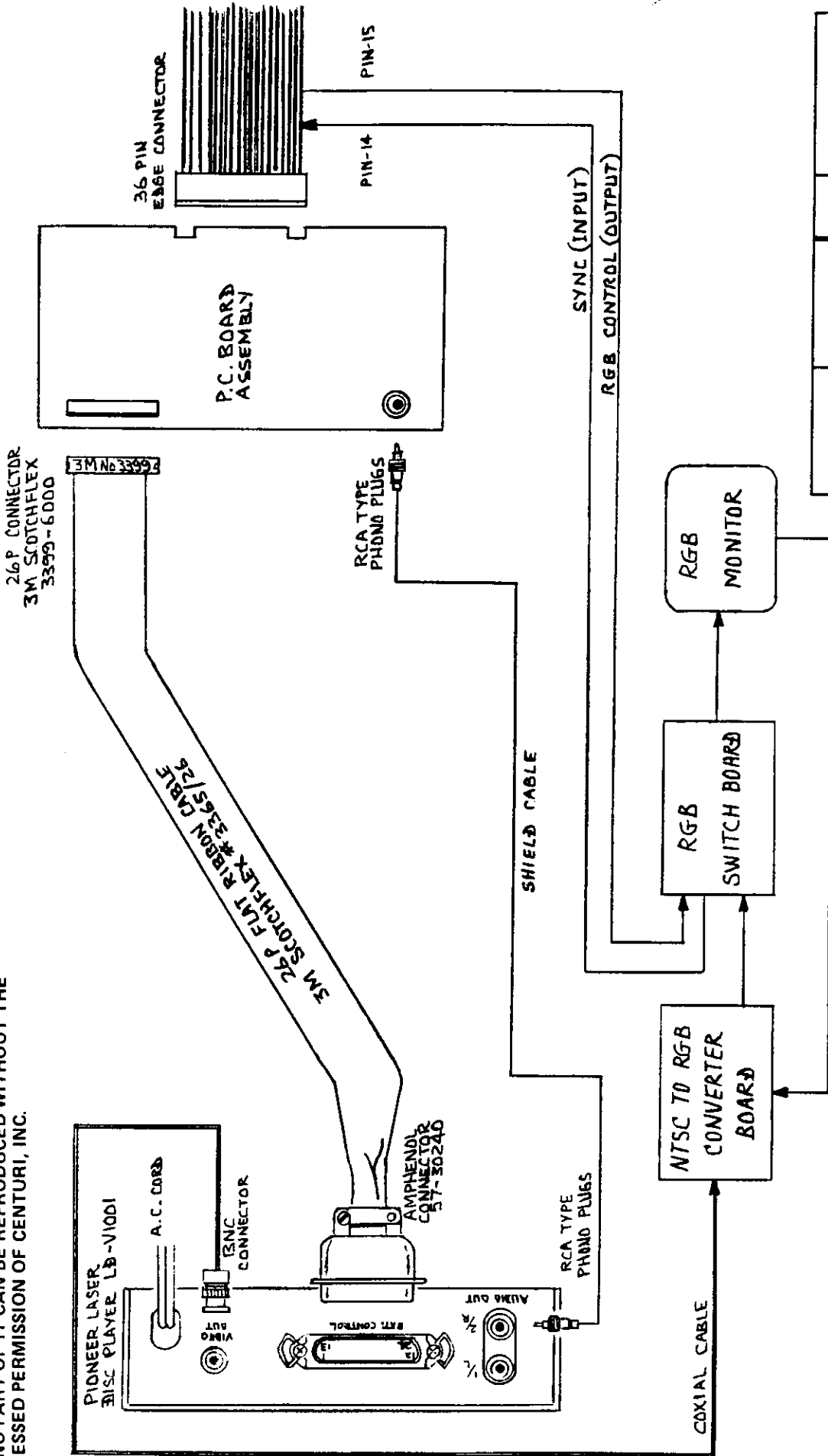


FIGURE-11

TOLERANCES		Unless Otherwise Specified	
FRACTIONS	±	1/32	
DECIMALS 2 PL	±	.015	
DECIMALS 3 PL	±	.005	
HOLES	+	.003	
ANGLES	-	.001	
SHT. MET BENDS	±	1/2°	

REV. LET.	ECN NO.	REVISION	BY

OC. APV'D	PROD. APV'D	QTY.	ASSEMBLY NO.

centuri inc.		HIALEAH, FLORIDA 33014	
NAME SYSTEM INTERCONNECT DIAGRAM-BABLANDS			
MATT'S.		HEAT TREAT. FINISH	
DWN. <i>MS</i>	DATE 1-30-84	SCALE NONE	PART NO.
REV.	LET.	ECN NO.	REV.

27 17899A





THE MATERIAL CONTAINED HEREIN IS CONFIDENTIAL AND NO PART OF IT CAN BE REPRODUCED WITHOUT THE EXPRESSED PERMISSION OF CENTURI, INC.

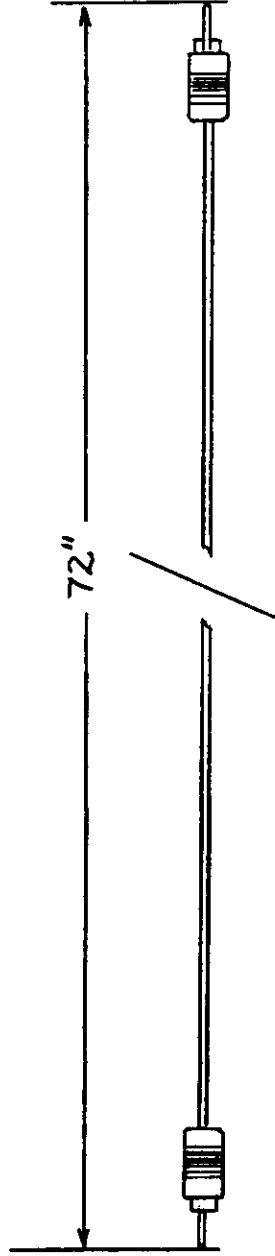
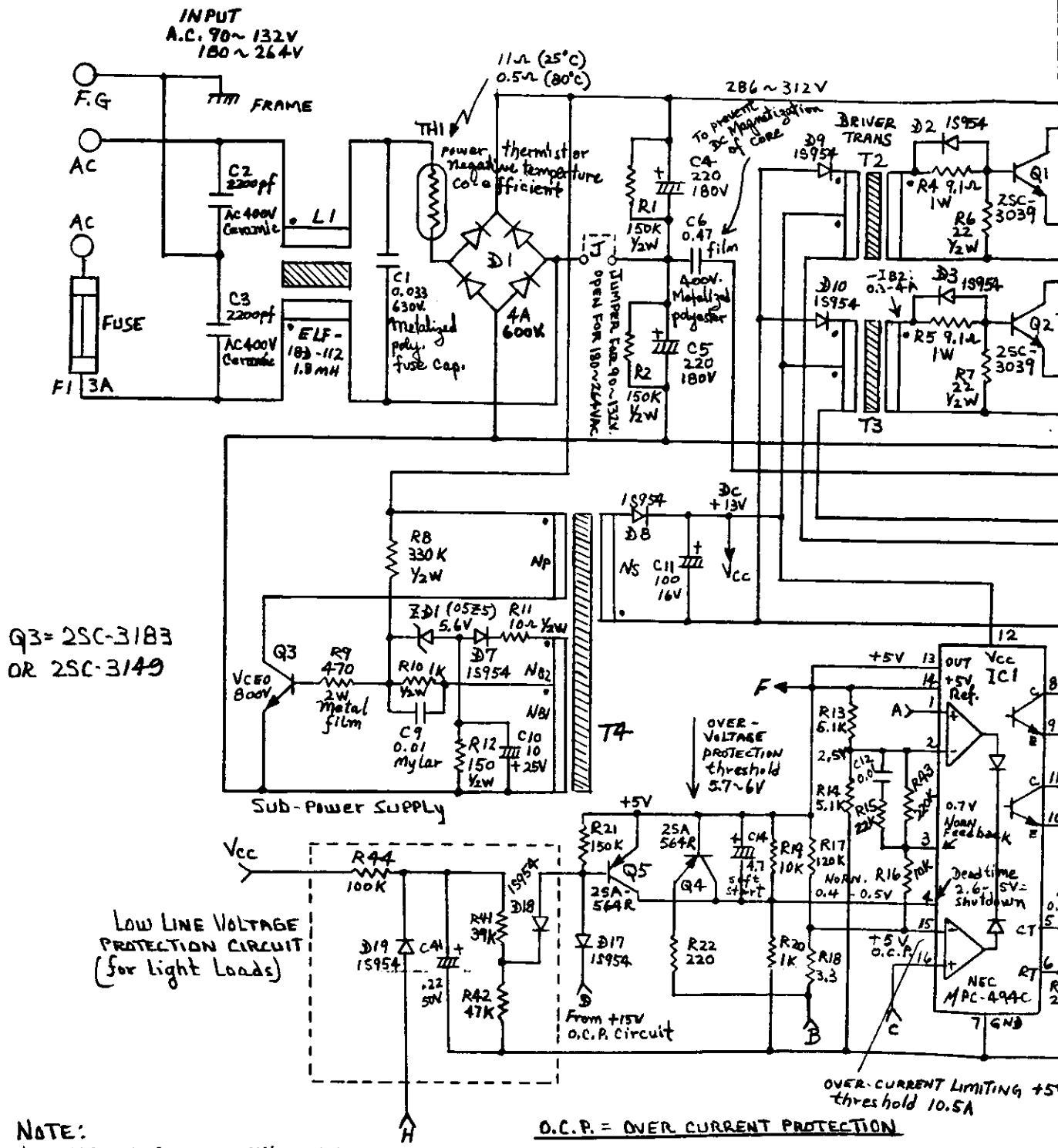


FIGURE-13

TOLERANCES		QC. APV'D		PROD. APV'D		QTY.		ASSEMBLY NO	
Unless Otherwise Specified						/			
FRACTIONS	± 1/32								
DECIMALS 2 PL	± .015								
DECIMALS 3 PL	± .005								
HOLES	+ .003								
ANGLES	- .001								
SHT. MET BENDS	± 1/2°								
	± 2°								
REV. LET.	ECN NO.	REVISION	BY	DATE	SCALE	PART NO.	HEAT TREAT.	FINISH	REV.
				2-6-84	NCNE	008-4938			
				centuri <sup>INC.</sup>				HIALEAH, FLORIDA 33014	
				NAME		CPU TO DISC PLAYER AUDIO CABLE ASSY			
				MATERIALS					
				APP'D		<i>[Signature]</i>			
				DWN		MS			

27 17899A



Q3 = 2SC-3183  
 OR 2SC-3149

NOTE:  
 ALL CAPACITORS ARE MYLAR-FILM  
 UNLESS INDICATED.  
 ALL RESISTORS ARE CARBON 1/4 WATT  
 UNLESS INDICATED.

O.C.P. = OVER CURRENT PROTECTION

REV. LET.	ECN NO.	REVISION



## Power Supply PSR-1105AP

## PARTS LIST (414-2021)

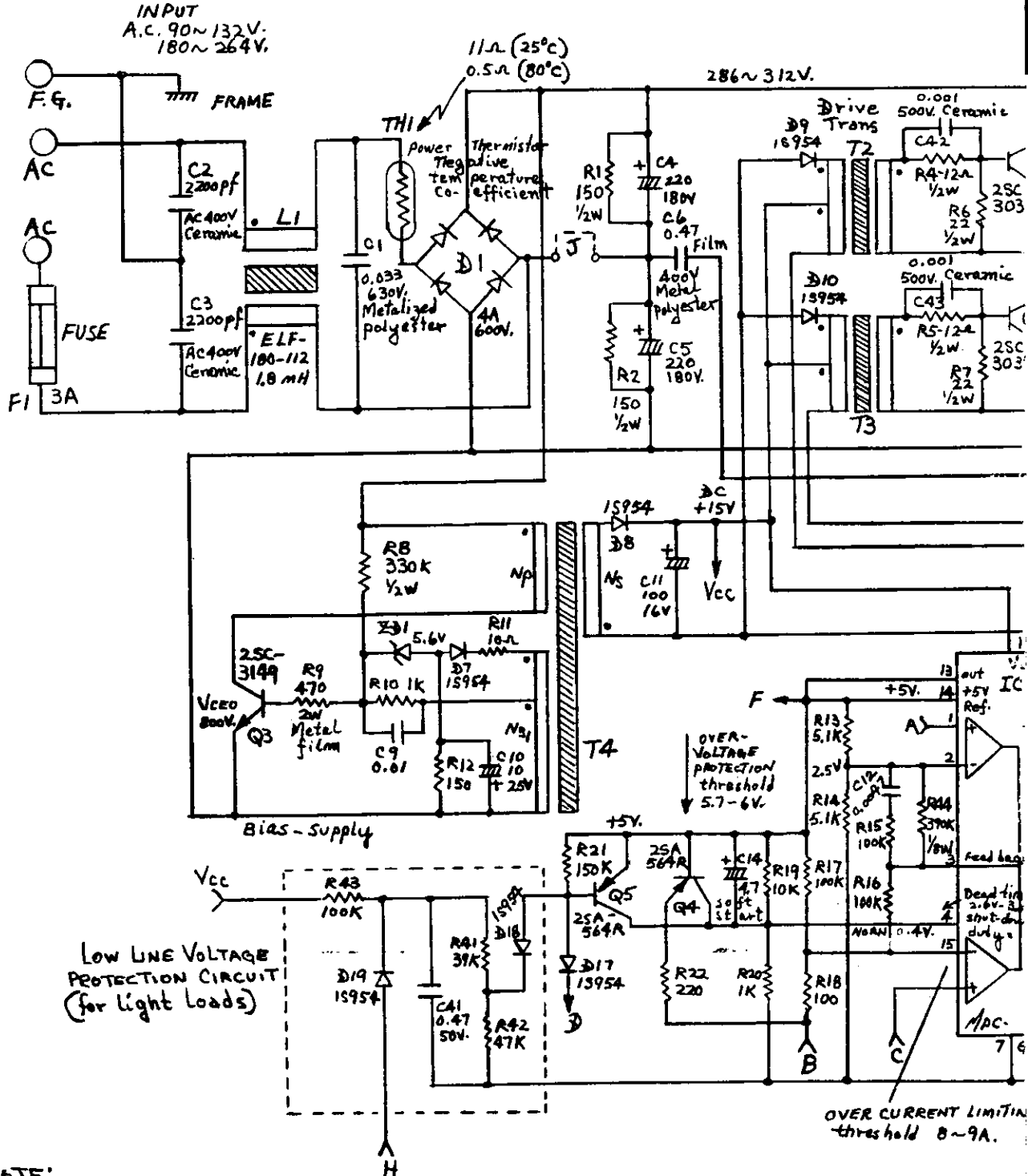
<u>Symbol</u>	<u>Description</u>	<u>Qty</u>
D1	Bridge Rectifier, S4VB-600V	1
D2,3,7,8,9, 10,17,18,19	Switching Diode, 1S954	9
D4,5	Fast Recovery Diode, 1GH62, 400V	2
D12,13,14,15	Fast Recovery Diode, 10DF-2, 200V	4
D11	Fast Recovery Diode, S5KC20H, 200V	1
D16	Schottky Barrier Diode, C16P04Q	1
ZD1	Zener Diode, 05Z5, 6A, 5.6V, 500mw	1
Q1,2	Power Transistor, 2SC3039	2
Q3	Power Transistor, 2SC3149	1
Q4,5	Transistor, 2SA564R	2
Q6,7	Transistor, 2SC828R	2
IC1	Switching Control, mPC494C, NEC	1
IC2	Regulator, 78M05	1
IC3	Regulator, 7815	1
IC4	Regulator, 7812	1
T1	Power Transformer, SM-2405	1
T2,3	Driver Transformer, SM-2215B	2
T4	Sub-Power Supply Transformer, SM-2399	1
CH1	EE-25, Choke Inductor, SM-2374	1
CH2,3	EE-16, Choke Inductor, SM-2367	2
CH4	EI-28, Choke Inductor, SM-2391	1
L1	AC Line Filter, ELF-18D-112	1
TH1	Power N.T.C. Thermistor, TD18-010	1
C1,32,33	Capacitor, Metalized Polyester, 0.033mf, 630V	3
C2,3	Capacitor, Ceramic, 2200pf, AC 400V, $\pm 20\%$	2
C4,5	Capacitor, Electrolytic, 220mf, 180V	2
C6	Capacitor, Metalized Polyester, 0.47mf, 400V	1
C7	Capacitor, Ceramic, 470pf, 1KV	1
C9,12,34,35,37	Capacitor, Mylar Film, 0.01mf, 50V	5
C10	Capacitor, Electrolytic, 10mf, 25V	1
C11	Capacitor, Electrolytic, 100mf, 16V	1
C14,42	Capacitor, Electrolytic, 4.7mf, 25V	2
C15	Capacitor, Polyester Film, 0.001mf, 50V	1
C17,19	Capacitor, Electrolytic, 470mf, 25V	2
C18	Capacitor, Ceramic, 50pf, 50V	1
C20,23,27,28	Capacitor, Ceramic, 0.1mf, 16V	4
C21,25	Capacitor, Electrolytic, 220mf, 35V	2
C22,26	Capacitor, Electrolytic, 470mf, 16V	2
C24	Capacitor, Ceramic, 0.01mf, 50V	1
C29,30	Capacitor, Electrolytic, 2200mf, 10V	2
C31	Capacitor, Mylar Film, 0.1mf, 50V	1
C41	Capacitor, Electrolytic, 0.22mf, 50V	1
R1,2	Resistor, Carbon Film, 150K Ohm, $\frac{1}{2}$ W, $\pm 5\%$	2
R3	Resistor, Metal Film, 100 Ohm, 2W, $\pm 5\%$	1
R4,5	Resistor, Metal Film, 9.1 Ohm, 1W, $\pm 5\%$	2
R6,7	Resistor, Carbon Film, 22 Ohm, $\frac{1}{2}$ W, $\pm 5\%$	2

Power Supply PSR-1105AP

PARTS LIST (414-2021)

<u>Symbol</u>	<u>Description</u>	<u>Qty</u>
R8	Resistor,Carbon Film, 330K Ohm, ½W, ±5%	1
R9	Resistor,Metal Film, 470 Ohm, 2W, ±5%	1
R10	Resistor,Mini-Metal Film,1K Ohm, ½W, ±5%	1
R11	Resistor,Mini-Metal Film, 10 Ohm, ½W, ±5%	1
R12	Resistor,Mini-Metal Film,150 Ohm, ½W, ±5%	1
R13,14,35	Resistor,Carbon Film, 5.1K Ohm, ½W, ±5%	3
R15	Resistor,Carbon Film, 22K Ohm, ½W, ±5%	1
R16,19,28	Resistor,Carbon Film, 10K Ohm, ½W, ±5%	3
R17,33	Resistor,Carbon Film, 120K Ohm, ½W, ±5%	2
R18	Resistor,Carbon Film, 3.3 Ohm, ½W, ±5%	1
R20	Resistor,Carbon Film, 1K Ohm, ½W, ±5%	1
R21,25	Resistor,Carbon Film, 150K Ohm, ½W, ±5%	2
R22	Resistor,Carbon Film, 220 Ohm, ½W, ±5%	1
R23	Resistor,Carbon Film, 20K Ohm, ½W, ±5%	1
R24	Resistor,Metal Film, 470 Ohm, 2W, ±5%	1
R26	Resistor,Carbon Film, 1.8K Ohm, ½W, ±5%	1
R29	Resistor,Carbon Film, 15K Ohm, ½W, ±5%	1
R30	Resistor,Carbon Film, 150 Ohm, ½W, ±5%	1
R31	Resistor,Metal Film, 150 Ohm, 3W, ±5%	1
R32	Resistor,Carbon Film, 1K Ohm, ½W, ±5%	1
R34	Resistor,Metal Film, 33 Ohm, 3W, ±5%	1
R36,39	Resistor,Metal Film, 5.1 Ohm, ½W, ±5%	2
R37	Resistor,Carbon Film, 5.1 Ohm, ½W, ±5%	1
R40	Resistor,Carbon Film, 4.3K Ohm, ½W, ±5%	1
R41	Resistor,Carbon Film, 39K Ohm, ½W, ±5%	1
R42	Resistor,Carbon Film, 47K Ohm, ½W, ±5%	1
R43	Resistor,Carbon Film, 220K Ohm,1/8W, ±5%	1
R44	Resistor,Carbon Film, 100K Ohm, ½W, ±5%	1
RS1	Resistor,Wire Manganin,A-2145,0.005 Ohm,2 Ø	1
RS2	Resistor,Wire Manganin,A-2256,0.03 Ohm, 1 Ø	1
VR1	Potentiometer, Mini Type, 2K Ohm	1
F1	Fuse, 3 Ampere	1

THE MATERIAL CONTAINED HEREIN IS CONFIDENTIAL  
AND NO PART OF IT CAN BE REPRODUCED WITHOUT THE  
EXPRESSED PERMISSION OF CENTURI, INC.



NOTE:  
ALL CAPACITORS ARE MYLAR-FILM  
UNLESS INDICATED.  
ALL RESISTORS ARE CARBON 1/4 WATT  
UNLESS INDICATED.

REV. LET.	ECN NO.	

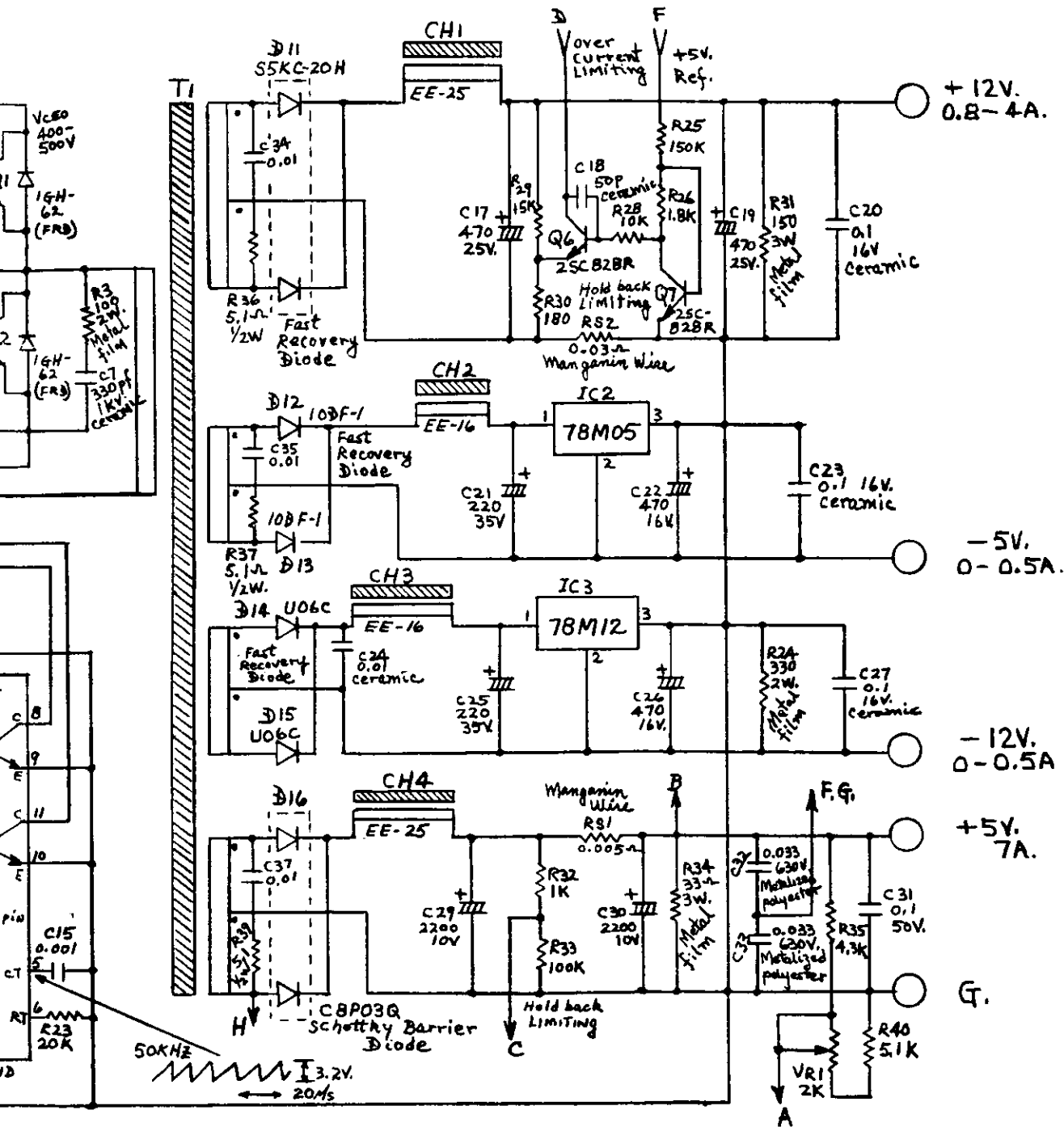


FIGURE-15

POWER SUPPLY PIN  
414-2023

QC. APV'D	PROD. APV'D	QTY.	ASSEMBLY NO

		TOLERANCES				HIALEAH, FLORIDA 33014			
		Unless Otherwise Specified							
		FRACTIONS	± 1/32	NAME PAL SWITCHING POWER SUPPLY, PSR-804-AT					
		DECIMALS 2 PL	± .015						
		DECIMALS 3 PL	± .005	MATERIALS. HEAT TREAT. FINISH					
		HOLES	+ .003						
		ANGLES	± 1/2°	DWN. APP'D. DATE SCALE PART NO. REV.					
		SHT. MET BENDS	± 2°						
REVISION	BY			M.S.	APP'D.	7-23-83	2	905-4914	REV.

Power Supply PSR-804AT  
PARTS LIST (414-2023)

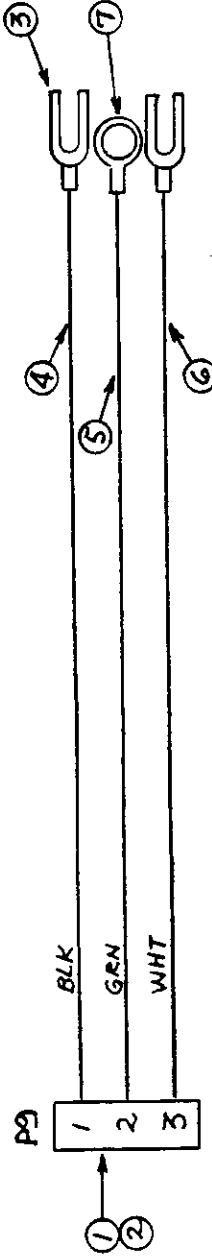
<u>Symbol</u>	<u>Description</u>	<u>Qty</u>
D1	Bridge Rectifier, RB-40, 600V	1
D4,5	Fast Recovery Diode, 1GH62	2
D7,8,9,10		
D17,18,19	Switching Diode, 1S954	7
D11	Fast Recovery Diode, S5KC20H	1
D12,13,14,15	Fast Recovery Diode, 10DF1	4
D16	Shottky Barrier Diode, C8P03Q	1
ZD1	Zener Diode, 05Z5, 5.6V, 500mW	1
Q1,2	Power Transistor, 2SC3039	2
Q3	Power Transistor, 2SC3149	1
Q4,5	Transistor, 2SA564R	2
Q6,7	Transistor, 2SC828R	2
IC1	Control I.C., PC494C	1
IC2	Regulator, 78M05	1
IC3	Regulator, 78M12	1
T1	Power Transformer, SM-2385	1
T2,3	Driver Transformer, SM-2215B	2
T4	Sub-Power Supply Transformer, SM-2399	1
CH1	EE25 Choke, SM-2374	1
CH2,3	EE16 Choke, SM-2367B	2
CH4	EE25 Choke, SM-2366	1
L1	Line Filter, ELF-18D-112	1
TH1	Power Thermistor, TD18-010	1
C1,32,33	Capacitor, Metalized polyester, 0.033, 630V.	3
C2,3	Capacitor, Ceramic, 2200pf, AC400V.	2
C4,5	Capacitor, Electrolytic, 220mf, 180V.	2
C6	Capacitor, Metalized polyester, 0.47mf, 400V.	1
C7	Capacitor, Ceramic, 330pf, 1KV	1
C9,34,35,37	Capacitor, Mylar Film, 0.01mf, 50V.	4
C10	Capacitor, Electrolytic, 10mf, 25V.	1
C11	Capacitor, Electrolytic, 100mf, 16V.	1
C12	Cap. Mylar Film, 0.0047mf, 50V.	1
C14	Capacitor, Electrolytic, 4.7mf, 25V.	1
C15	Capacitor, Polyester, 0.001mf, 50V.	1
C17,19	Capacitor, Electrolytic, 470mf, 25V.	2
C18	Capacitor, Ceramic, 50pf	1
C20,23,27	Capacitor, Ceramic, 0.1mf, 16V.	3
C21,25	Capacitor, Electrolytic, 220mf, 35V.	2
C22,26	Capacitor, Electrolytic, 470mf, 16V.	2
C24	Capacitor, Ceramic, 0.01mf, 50V.	1
C29,30	Capacitor, Electrolytic, 2200mf, 10V.	2
C31	Capacitor, Mylar Film, 0.1mf, 50V.	1
C41	Capacitor, Electrolytic, 0.47mf, 50V.	1
C42,43	Capacitor, Ceramic, 0.001mf, 500V.	2
R1,2	Resistor, Carbon, 150K Ohm, $\frac{1}{2}$ W.	2
R3	Resistor, Metal Oxide, 100 Ohm, 2W	1
R4,5	Resistor, Carbon, 12 Ohm, $\frac{1}{2}$ W	2
R6,7	Resistor, Carbon, 22 Ohm, $\frac{1}{2}$ W.	2
R8	Resistor, Carbon, 330K Ohm, $\frac{1}{2}$ W.	1



Power Supply PSR-804AT  
PARTS LIST (414-2023)

<u>Symbol</u>	<u>Description</u>	<u>Qty</u>
R9	Resistor, Metal Oxide, 470 Ohm, 2W.	1
R10,20,32	Resistor, Carbon, 1K Ohm, 1/2W.	3
R11	Resistor, Carbon, 10 Ohm, 1/2W.	1
R12	Resistor, Carbon, 150 Ohm, 1/2W.	1
R13,14,40	Resistor, Carbon, 5.1K Ohm, 1/2W.	3
R15,16,17,33	Resistor, Carbon, 100K Ohm, 1/2W.	4
R18	Resistor, Carbon, 100 Ohm, 1/2W.	1
R19,28	Resistor, Carbon, 10K Ohm, 1/2W.	2
R21,25	Resistor, Carbon, 150K Ohm, 1/2W.	2
R22	Resistor, Carbon, 220 Ohm, 1/2W.	1
R23	Resistor, Carbon, 20K Ohm, 1/2W.	1
R24	Resistor, Metal Oxide, 330 Ohm, 2W.	1
R26	Resistor, Carbon, 1.8K Ohm, 1/2W.	1
R29	Resistor, Carbon, 15K Ohm, 1/2W.	1
R30	Resistor, Carbon, 180 Ohm, 1/2W.	1
R31	Resistor, Metal Oxide, 150 Ohm, 3W.	1
R34	Resistor, Metal Oxide, 33 Ohm, 3W.	1
R35	Resistor, Carbon, 4.3K Ohm, 1/2W.	1
R36,37,39	Resistor, Carbon, 5.1 Ohm, 1/2W.	3
R41	Resistor, Carbon, 39K Ohm, 1/2W.	1
R42	Resistor, Carbon, 47K Ohm, 1/2W.	1
R43	Resistor, Carbon, 100K Ohm, 1/2W.	1
R44	Resistor, Carbon, 390K Ohm, 1/8W.	1
RS1	Resistor, Manganin wire, 0.005 Ohm (A2145)	1
RS2	Resistor, Manganin wire, 0.03 Ohm (A2256)	1
VR1	Mini-Potentiometer, 2K Ohm	1
F1	Fuse, 3 Ampere	1
FH1	Fuse Holder, F207	1

THE MATERIAL CONTAINED HEREIN IS CONFIDENTIAL AND NO PART OF IT CAN BE REPRODUCED WITHOUT THE EXPRESSED PERMISSION OF CENTURI, INC.



8	2	4-17-1601	4" TY WRAPS
7	1	401-1201	RING LUG, ETC # B-137-10T
6	12	402-1536	INSULATED WIRE 18AWG, WHITE
5	13	402-1532	" " " GREEN
4	12	402-1527	" " " BLACK
3	2	401-1246	INSULATED OPEN LUG
2	3	401-1222	MALE PIN MOLEX # 02-09-2116
1	1	401-1234	PIN PLUS MOLEX # 03-09-2031
ITEM	QTY	PART NO.	DESCRIPTION
BILL OF MATERIALS			
OC. APV'D	PROD. APV'D	QTY.	ASSEMBLY NO

FIGURE-16

<b>centuri</b> INC.		HIALEAH, FLORIDA 33014	
NAME		POWER SUPPLY A.C. HARNESS	
MATERIALS		HEAT TREAT. FINISH	
DWN.	APP'D.	DATE	SCALE
M.J.	<i>[Signature]</i>	2-2-84	NONE
REV. LET.	ECN NO.	BY	REVISION
TOLERANCES		PART NO.	
Unless Otherwise Specified		008-4908	
FRACTIONS	± 1/32	REV.	
DECIMALS 2 PL	± .015		
DECIMALS 3 PL	± .005		
HOLES	± .003		
ANGLES	± .001		
SHT. MET BENDS	± 1/2°		







